




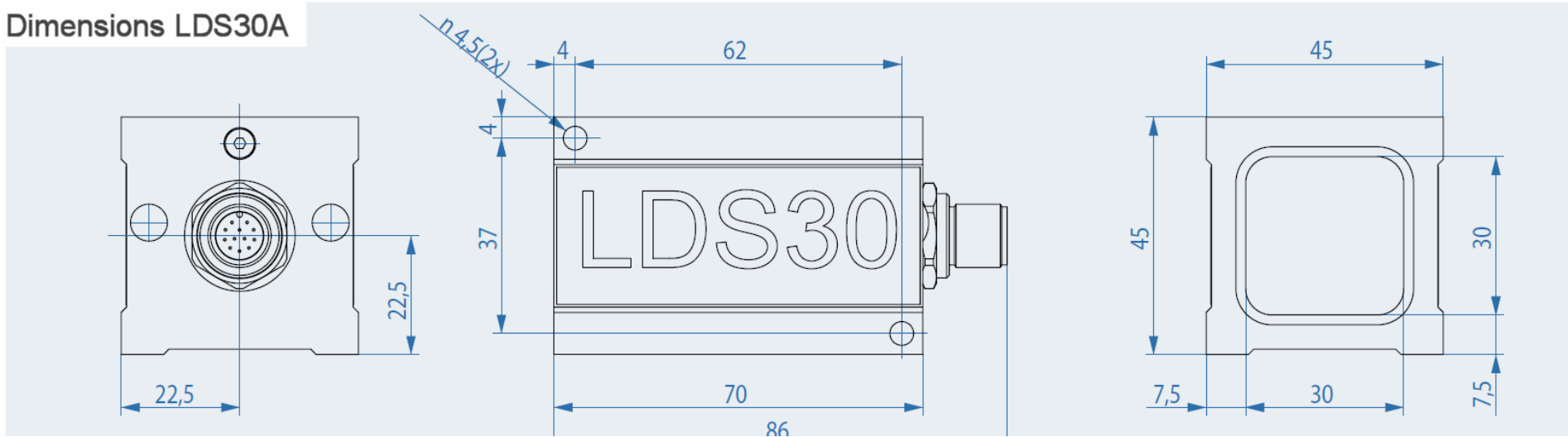


## Technical Differences within the LDS30 product family

|                       |   |   |  |   |   |
|-----------------------|---|---|--|---|---|
| Part name             | LDS30A  | LDS30A-RS422  | LDS30M   | LDS30M-IF-RS232   | LDS30M-IF-RS422   |
| Part Number           | 10-2050-00  | 10-2051-00  | 10-2034-00   | 10-2043-00  | 10-2043-01  |
| Part Number SET       | German: 41-2050-01<br>English: 41-2050-02   | German: 41-2051-01<br>English: 41-2051-02   |  |   |   |
| Picture               |  |  |  |  |  |
| Serial Interface      | RS232   | RS422   | RS422,<br>CMOS-Level 3.3V  | RS232   | RS422   |
| Additional Interfaces | Analog output (4-20mA)<br>2x Switching output (24V)                               | Analog output (4-20mA)<br>2x Switching output (24V)                               |  | Analog output (4-20mA)<br>2x Switching output (24V)                                 | Analog output (4-20mA)<br>2x Switching output (24V)                                 |
| Power supply          | 10 VDC ... 30 VDC   | 10 VDC ... 30 VDC   | 6.5 VDC ... 7.0 VDC  | 10 VDC ... 30 VDC   | 10 VDC ... 30 VDC   |
| Protection class      | IP67  | IP67  | Non  | Non   | Non   |

# Dimensions LDS30A



## Interface connection of the OEM module LDS30M

| Pin | Potential            | Description                           |
|-----|----------------------|---------------------------------------|
| 1   | VCC                  | Supply voltage +6.5 ... 7 V DC        |
| 2   | VCC                  | Supply voltage +6.5 ... 7 V DC        |
| 3   | GND <sub>power</sub> | GND                                   |
| 4   | GND <sub>power</sub> | GND                                   |
| 5   | RX- RS422            | RS422 received data -                 |
| 6   | RX+ RS422            | RS422 received data +                 |
| 7   | TX- RS422            | RS422 transmission data -             |
| 8   | TX+ RS422            | RS422 transmission data +             |
| 9   | BOOT                 | Boot contact for firmware update      |
| 10  | SA2                  | Interface for high-side switch 2      |
| 11  | DATA <sub>in</sub>   | Current interface data input (DATAIN) |
| 12  | SA1                  | Interface for high-side switch 1      |
| 13  | SCK                  | Current interface clock (CLOCK)       |
| 14  | CS                   | Current interface CS (LATCH)          |

There is no internal inverse polarity protection!  
Voltage supply of DC 6.5 V ... 7.0 V must be adhered to!

The Pins No. 11 (DATA), 13 (SCK) and 14 (CS) are provided for the connection of an analogue current interface driver circuit (e.g. AD420).

## Dimensions LDS30M

